

# DALI LCM WITH 5 SWITCHING RELAYS



Our ECOLUX DALI DS5 LCM uses DALI protocol to control up to ten channels (ports). Five of the channels incorporate switching relays for the control of non DALI fittings. All ports are can individually address DALI luminaires. Ports 6 to 10 includes switched live relays with a maximum of 6A load each-10A total. The emergency test facility is via a permanent live relay and there is an 8-way switch interface for sensing volt free contacts. Lighting can be programmed into groups with multiple group capability too. The enclosure has been designed for ease of installation and has 'Z' bold fixing rails on the rear. All the connections to the unit can be pre-wired for installation. A removable memory module facilitates fast configuration of a replacement LCM should that be needed.

**Part Number:**  
**LC-DSL10-S5**  
**LC-DSL10-S5/WH**  
**Luminaire Plugs:**  
**LC-6PMPBB/B**  
**LC-6PMPBB/WH**  
**LC-6PMPBB/R**

**Black**  
**White**  
  
**Black**  
**White**  
**Emergency**



**ECOLUX DATASHEET**

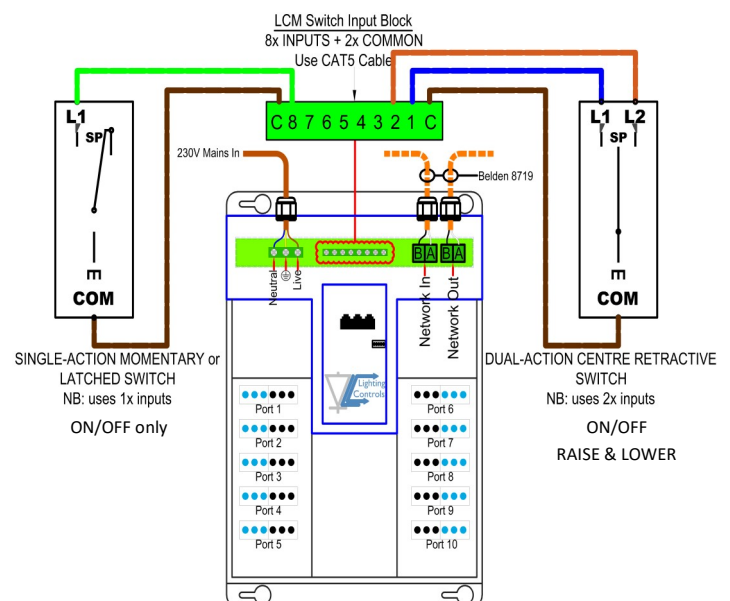
## Network Isolation

This LCM has two isolated networks. The field wiring CAN bus which networks the LCMs is isolated from the peripheral bus which connects PIRs and scene plates. Should a wiring problem occur on one LCM peripheral, it will not affect other LCMs. Should field wiring become compromised then LCMs will stand alone and continue to function.

- Switching relays for channels 6-10
- CAN booster ready
- Emergency Test Relay
- 10x 6-pole sockets for luminaire wiring
- 2x hard-wired CAN bus connections
- All ports able to individually address luminaires
- 3x RJ12 connections for PIRs and Scene Plates
- Single mains supply and 2 core CAN bus connections
- 10-pin hardwired connector for 8 volt-free inputs
- The LCM is not powered from the bus and requires a permanent mains supply from the relevant lighting circuits.

Max no. of Scene Plates/ PIRs	10
Inputs	8 clean contact
Field comms	CAN bus, 2 internal screw terminals
Local comms	CAN bus 3 x RJ12 pre-terminated
Luminaire connection	6 way, switched Live (ports 6-10), Earth, Neutral, Emergency Live, Dim- Dim+
Configuration memory (removable)	256K (non-volatile)

Supply voltage	90-240 V AC 50Hz
Power consumption	Off load - 1.2 watts All channels on - 4 watts
Internal fuse	1AT
Load (total)	10A
Load per channel	6A
Case material	Flame retardant ABS
Operating Temp	-10°C to +50°C
Max Humidity	90% RH non-condensing



**IMPORTANT:** Information contained in this datasheet is subject to change at any time without notice. Installation guides are available on our website ([www.lightingcontrols.ltd.uk](http://www.lightingcontrols.ltd.uk)) or call us on 01252 470 027.