



DATA SHEET

LC-AC-M

LC-AC-M

The LC-AC-M area controller is used with our Head End PC software or when an Emergency Monitoring system is required. The controller also provides backbone communications with DALI LCMs and DALI Gateways which can be connected using a dedicated Beldon cable 8719 or equivalent.

The LC-AC-M provides over-ride facilities for key switch commands; standard functions provide an 'Emergency Test' and an 'Over-ride All On'. It also features important test features, allowing a lighting control network to be checked before commissioning. In other words, the integrity of the installation can be checked when the network wiring is completed, and the lighting system fully working. All DALI strings are also tested. This protocol allows the building lighting to be functional before a Category B fit out but without commissioning costs.

The area controller has four buttons: Two to check that the lamps dim and brighten; one button to start the Test function; and, one button to cancel the Test function. Pushing the Test button causes the lights to go OFF either for 20 minutes or until the Cancel button is pushed.



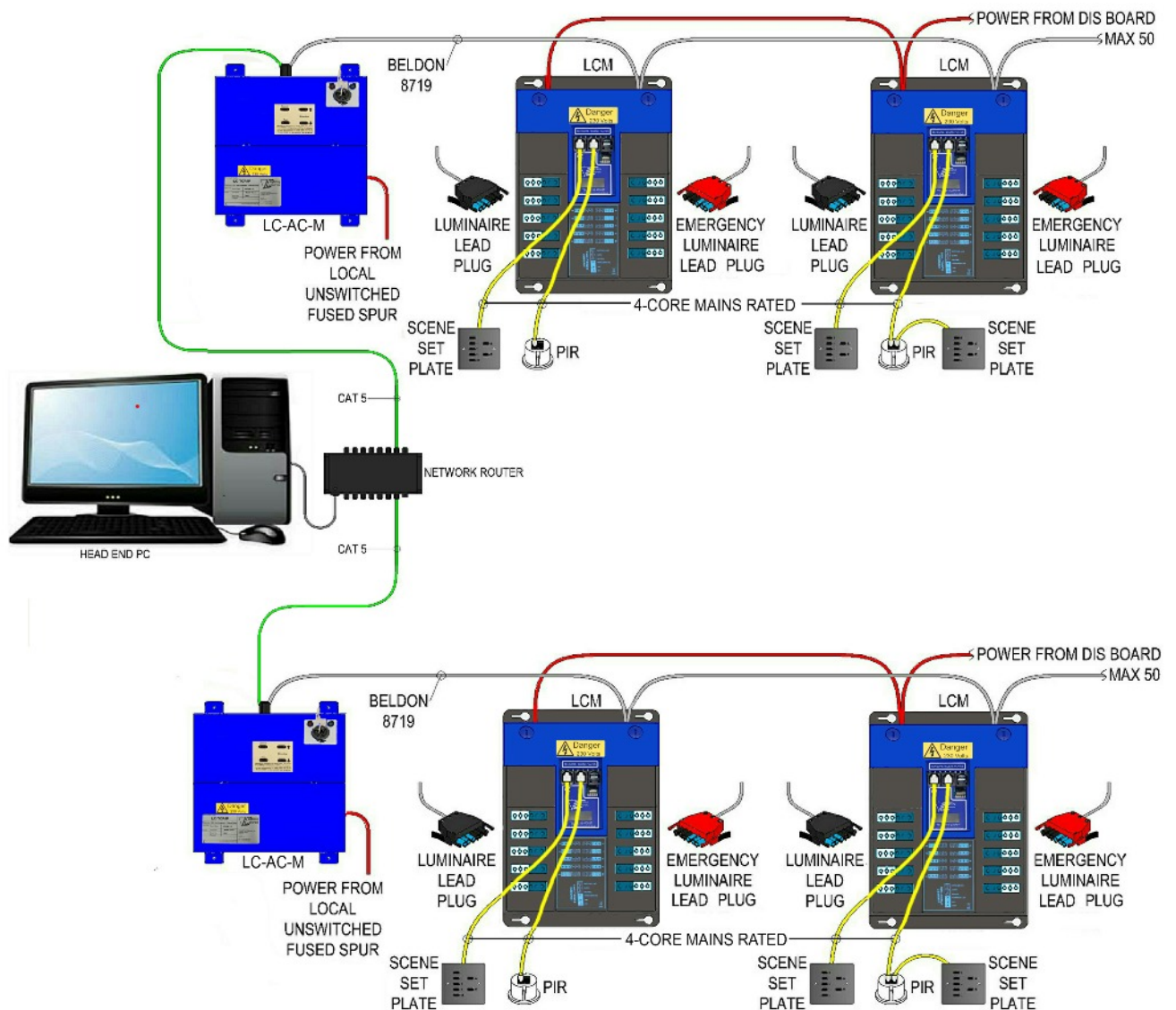
IMPORTANT: The information contained in this data sheet is subject to change at any time without notice

Lighting Controls Ltd., 5 Bourne Mill Business Park, Guildford Road, Farnham, Surrey, GU9 9PS, U.K.

Tel: +44 (0)1252 470027 Fax: +44 (0)1252 782288 email: info@lightingcontrols.ltd.uk web: lightingcontrols.ltd.uk

TECHNICAL SPECIFICATIONS

Supply Voltage	90-230 V AC
Power consumption	2W
Input	2 Volt-free 24 virtual inputs, configurable via Head-End software
Ethernet	10/100 base via RJ45
CAN bus connector	Screw terminal
Network Configuration	External DHCP



The LC-AC-M interface provides backbone communications over CAT5 cable between the Head End controller and DALI LCMs and Gateways.